

SCD-5081R

1000TVL (1280H) WDR Varifocal IR Dome Camera

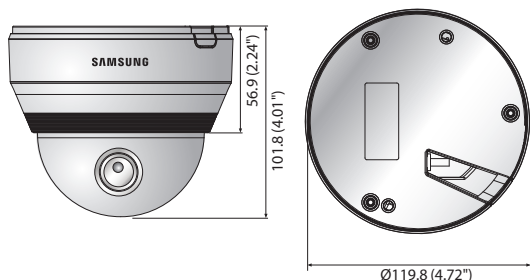


Key Features

- High resolution of 1000TV lines (Color), 1000TV lines (B/W)
- Min. illumination 0Lux (IR LED on), IR distance 30m
- 3.3x varifocal lens (3 ~ 10mm)
- Day & Night (ICR)
- SSSDR, SSSNRIV, Defog, Intelligent video analytics
- Coax : Pelco-C (Coaxitron), Dual power

Dimensions

Unit : mm (inch)



Accessories (Optional)



SBP-301HM4 SBP-300LM SBP-300CM SBP-300WM1 SBP-300WM SBP-300B SBP-300PM SBP-300KM

	SCD-5081RN	SCD-5081RP
VIDEO		
Imaging Device	1/3" 2M CMOS	
Total Pixels	1,304(H) x 1,074(V)	
Effective Pixels	1,296(H) x 1,032(V)	
Scanning System	Progressive scan	
Synchronization	Internal	
Frequency	H : 15.734KHz / V : 59.94Hz	H : 15.625KHz / V : 50Hz
Horizontal Resolution	Color : 1000TV lines, B/W : 1000TV lines	
Min. Illumination	Color : 0.05Lux (F1.4, 50IRE), 0.001Lux (1sec, F1.4, 50IRE), 0.02Lux (F1.4, 30IRE), 0.0006Lux (1sec, F1.4, 30IRE) B/W : 0Lux (IR LED on)	
S / N Ratio	52dB (AGC off, Weight on)	
Video Output	CVBS : 1.0Vpp / 75Ω composite	
LENS		
Focal Length (Zoom Ratio)	3 ~ 10mm (3.3x) varifocal	
Max. Aperture Ratio	F1.4	
Angular Field of View	H : 83.1°(Wide) ~ 26.9°(Tele) / V : 60.5°(Wide) ~ 20.2°(Tele)	
Min. Object Distance	0.5m (1.64ft)	
Focus Control	Manual	
Lens Type	DC auto iris	
Mount Type	Board type	
OPERATIONAL		
On Screen Display	English, Chinese, Korean, Japanese, German, Italian, French, Spanish, Russian, Czech, Polish, Romanian, Serbian, Swedish, Danish, Turkish, Portuguese	
Camera Title	Off / On (Displayed 15 characters)	
Day & Night	Auto (ICR) / External / Color / B/W	
Backlight Compensation	Off / User BLC / HLC	
Contrast Enhancement	SSDR (Off / On)	
Digital Noise Reduction	SSNR IV (Off / On)	
Defog	Off / Auto / Manual	
Purple Fringe Reduction	Off / Low / Middle / High	
Digital Image Stabilization	Off / On	
Tampering	Off / On	
Motion Detection	Off / On	
Intelligent Video Analytics	Fence, (Dis)Appear, Counting (Off / On)	
Privacy Masking	Off / On (24 programmable zones with 4 points polygonal masking)	
Gain Control	Off / Low / Middle / High	
White Balance	ATW / Outdoor / Indoor / Manual / AWC / Mercury (1,800K° ~ 10,500K°)	
Electronic Shutter Speed	1sec ~ 1/12,000sec	
Digital Zoom	Off / On (1x ~ 16x)	
Reverse	Off / H-Rev / V-Rev / HV-Rev	
Profile	Basic, Day & Night, Backlight, ITS, Indoor, User	
Alarm	1 Out	
Communication	Coaxial control (SPC-300 compatible)	
Protocol	Coax : Pelco-C (Coaxitron)	
IR Distance	30m (98.43ft) (IR LED 12ea)	
ENVIRONMENTAL		
Operating Temperature / Humidity	-30°C ~ +55°C (+14°F ~ +131°F) / Less than 90% RH	
ELECTRICAL		
Input Voltage / Current	Dual (24V AC & 12V DC ±10%)	
Power Consumption	Max. 6W	
MECHANICAL		
Color / Material	Ivory / Aluminum, Plastic	
Dimensions (WxH)	Ø119.8 x 101.8mm (Ø4.72" x 4.01")	
Weight	550g (1.21 lb)	

* The latest product information / sepecification can be found at <http://security.hanwhatechwin.com>

SCO-5081R

1000TVL (1280H) IR Bullet Camera

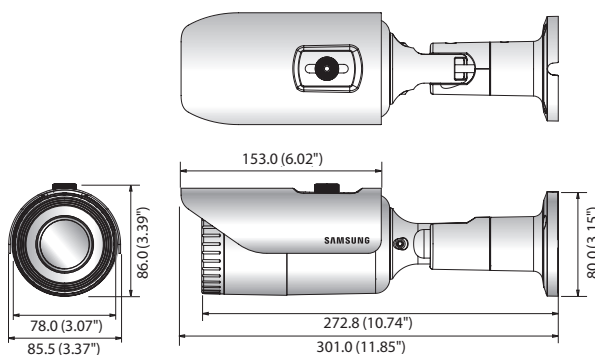


Key Features

- High resolution of 1000TV lines (Color), 1000TV lines (B/W)
- Min. Illumination 0Lux (IR LED on), IR distance 50m
- 3.3x varifocal lens (3 ~ 10mm)
- Day & Night (ICR)
- SSDR, SSNRIV, Defog, Intelligent video analytics
- IP66, IK10, Coax : Pelco-C (Coaxitron), RS-485, Dual power

Dimensions

Unit : mm (inch)



	SCO-5081RN	SCO-5081RP
VIDEO		
Imaging Device	1/3" 2M CMOS	
Total Pixels	1,304(H) x 1,074(V)	
Effective Pixels	1,296(H) x 1,032(V)	
Scanning System	Progressive scan	
Synchronization	Internal	
Frequency	H : 15.734KHz / V : 59.94Hz	H : 15.625KHz / V : 50Hz
Horizontal Resolution	Color : 1000TV lines, B/W : 1000TV lines	
Min. Illumination	Color : 0.05Lux (F1.4, 50IRE), 0.001Lux (1sec, F1.4, 50IRE), 0.02Lux (F1.4, 30IRE), 0.0006Lux (1sec, F1.4, 30IRE) B/W : 0Lux (IR LED on)	
S / N Ratio	52dB (AGC off, Weight on)	
Video Output	CVBS : 1.0Vpp / 75Ω composite	
LENS		
Focal Length (Zoom Ratio)	3 ~ 10mm (3.3x) (YTOT)	
Max. Aperture Ratio	F1.4	
Angular Field of View	H : 82.0°(Wide) ~ 26.5°(Tele) / V : 59.7°(Wide) ~ 19.9°(Tele)	
Min. Object Distance	0.5m (1.64ft)	
Focus Control	Manual	
Lens Type	DC auto iris	
Mount Type	Board type	
OPERATIONAL		
On Screen Display	English, Chinese, Korean, Japanese, German, Italian, French, Spanish, Russian, Czech, Polish, Romanian, Serbian, Swedish, Danish, Turkish, Portuguese	
Camera Title	Off / On (Displayed 15 characters)	
Day & Night	Auto (ICR) / External / Color / B/W	
Backlight Compensation	Off / User BLC / HLC	
Contrast Enhancement	SSDR (Off / On)	
Digital Noise Reduction	SSNRIV (Off / On)	
Defog	Off / Auto / Manual	
Purple Fringe Reduction	Off / Low / Middle / High	
Digital Image Stabilization	Off / On	
Tampering	Off / On	
Motion Detection	Off / On	
Intelligent Video Analytics	Fence, (Dis)Appear, Counting (Off / On)	
Privacy Masking	Off / On (24 programmable zones with 4 points polygonal masking)	
Gain Control	Off / Low / Middle / High	
White Balance	ATW / Outdoor / Indoor / Manual / AWC / Mercury (1,800K° ~ 10,500K°)	
Electronic Shutter Speed	1sec ~ 1/12,000sec	
Digital Zoom	Off / On (1x ~ 16x)	
Reverse	Off / H-Rev / V-Rev / HV-Rev	
Profile	Basic, Day & Night, Backlight, ITS, Indoor, User	
Alarm	1 Out	
Communication	Coaxial control (SPC-300 compatible), RS-485	
Protocol	Coax : Pelco-C (Coaxitron) RS-485 : Samsung-T/E, Pelco-D/P, Panasonic, Bosch, Honeywell, Vicon, AD, GE	
IR Distance	50m (164.04ft) (IR LED 36ea)	
ENVIRONMENTAL		
Operating Temperature / Humidity	-30°C ~ +55°C (-22°F ~ +131°F) / Less than 90% RH	
Ingress Protection	IP66	
Vandal Resistance	IK10	
ELECTRICAL		
Input Voltage / Current	Dual (24V AC & 12V DC ±10%)	
Power Consumption	Max. 9.5W	
MECHANICAL		
Color / Material	Dark gray / ALDC	
Dimensions (WxH)	Ø78.0 x 272.8mm (3.07" x 10.74") (Without sunshield)	
Weight	1.5Kg (3.31 lb)	

* The latest product information / sepecification can be found at <http://security.hanwhatechwin.com>

SCV-5081R

1000TVL (1280H) Vandal-Resistant IR Dome Camera

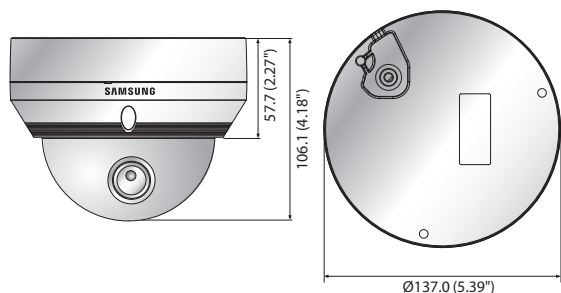


Key Features

- High resolution of 1000TV lines (Color), 1000TV lines (B/W)
- Min. Illumination 0Lux (IR LED on), IR distance 30m
- 3.3x varifocal lens (3 ~ 10mm)
- Day & Night (ICR)
- SDDR, SSNRIV, Defog, Intelligent video analytics
- IP66, IK10, Coax : Pelco-C (Coaxitron), RS-485, Dual power

Dimensions

Unit : mm (inch)



	SCV-5081RN	SCV-5081RP
VIDEO		
Imaging Device	1/3" 2M CMOS	
Total Pixels	1,304(H) x 1,074(V)	
Effective Pixels	1,296(H) x 1,032(V)	
Scanning System	Progressive scan	
Synchronization	Internal	
Frequency	H : 15.734KHz / V : 59.94Hz	H : 15.625KHz / V : 50Hz
Horizontal Resolution	Color : 1000TV lines, B/W : 1000TV lines	
Min. Illumination	Color : 0.05Lux (F1.4, 50IRE), 0.001Lux (1sec, F1.4, 50IRE), 0.02Lux (F1.4, 30IRE), 0.0006Lux (1sec, F1.4, 30IRE) B/W : 0Lux (IR LED on)	
S / N Ratio	52dB (AGC off, Weight on)	
Video Output	CVBS : 1.0Vpp / 75Ω composite	
LENS		
Focal Length (Zoom Ratio)	3 ~ 10mm (3.3x) varifocal	
Max. Aperture Ratio	F1.4	
Angular Field of View	H : 83.1°(Wide) ~ 26.9°(Tele) / V : 60.5°(Wide) ~ 20.2°(Tele)	
Min. Object Distance	0.5m (1.64ft)	
Focus Control	Manual	
Lens Type	DC auto iris	
Mount Type	Board type	
PAN / TILT / ROTATE		
Pan Range	0° ~ 354°	
Tilt Range	0° ~ 68°	
Rotate Range	0° ~ 355°	
OPERATIONAL		
On Screen Display	English, Chinese, Korean, Japanese, German, Italian, French, Spanish, Russian, Czech, Polish, Romanian, Serbian, Swedish, Danish, Turkish, Portuguese	
Camera Title	Off / On (Displayed 15 characters)	
Day & Night	Auto (ICR) / External / Color / B/W	
Backlight Compensation	Off / User BLC / HLC	
Contrast Enhancement	SSDR (Off / On)	
Digital Noise Reduction	SSNRIV (Off / On)	
Defog	Off / Auto / Manual	
Purple Fringe Reduction	Off / Low / Middle / High	
Digital Image Stabilization	Off / On	
Tampering	Off / On	
Motion Detection	Off / On	
Intelligent Video Analytics	Fence, (Dis)Appear, Counting (Off / On)	
Privacy Masking	Off / On (24 programmable zones with 4 points polygonal masking)	
Gain Control	Off / Low / Middle / High	
White Balance	ATW / Outdoor / Indoor / Manual / AWC / Mercury (1,800K ~ 10,500K)	
Electronic Shutter Speed	1sec ~ 1/12,000sec	
Digital Zoom	Off / On (1x ~ 16x)	
Reverse	Off / H-Rev / V-Rev / HV-Rev	
Profile	Basic, Day & Night, Backlight, ITS, Indoor, User	
Alarm	1 Out	
Communication	Coaxial control (SPC-300 compatible), RS-485	
Protocol	Coax : Pelco-C (Coaxitron) RS-485 : Samsung-T/E, Pelco-D/P, Panasonic, Bosch, Honeywell, Vicon, AD, GE	
IR Distance	30m (98.43ft) (IR LED 12ea)	
ENVIRONMENTAL		
Operating Temperature / Humidity	-30°C ~ +55°C (-22°F ~ +131°F) / Less than 90% RH	
Ingress Protection	IP66	
Vandal Resistance	IK10	
ELECTRICAL		
Input Voltage / Current	Dual (24V AC & 12V DC ±10%)	
Power Consumption	Max. 6W	
MECHANICAL		
Color / Material	Ivory / Aluminum	
Dimensions (WxH)	Ø137.0 x 106.1mm (Ø5.39" x 4.18")	
Weight	750g (1.65 lb)	

Accessories (Optional)



SHD-3000F3 SBP-301HM2 SBP-300LM SBP-300CM SBP-300WM1 SBP-300WM SBP-300KM

* The latest product information / specification can be found at <http://security.hanwhatechwin.com>